

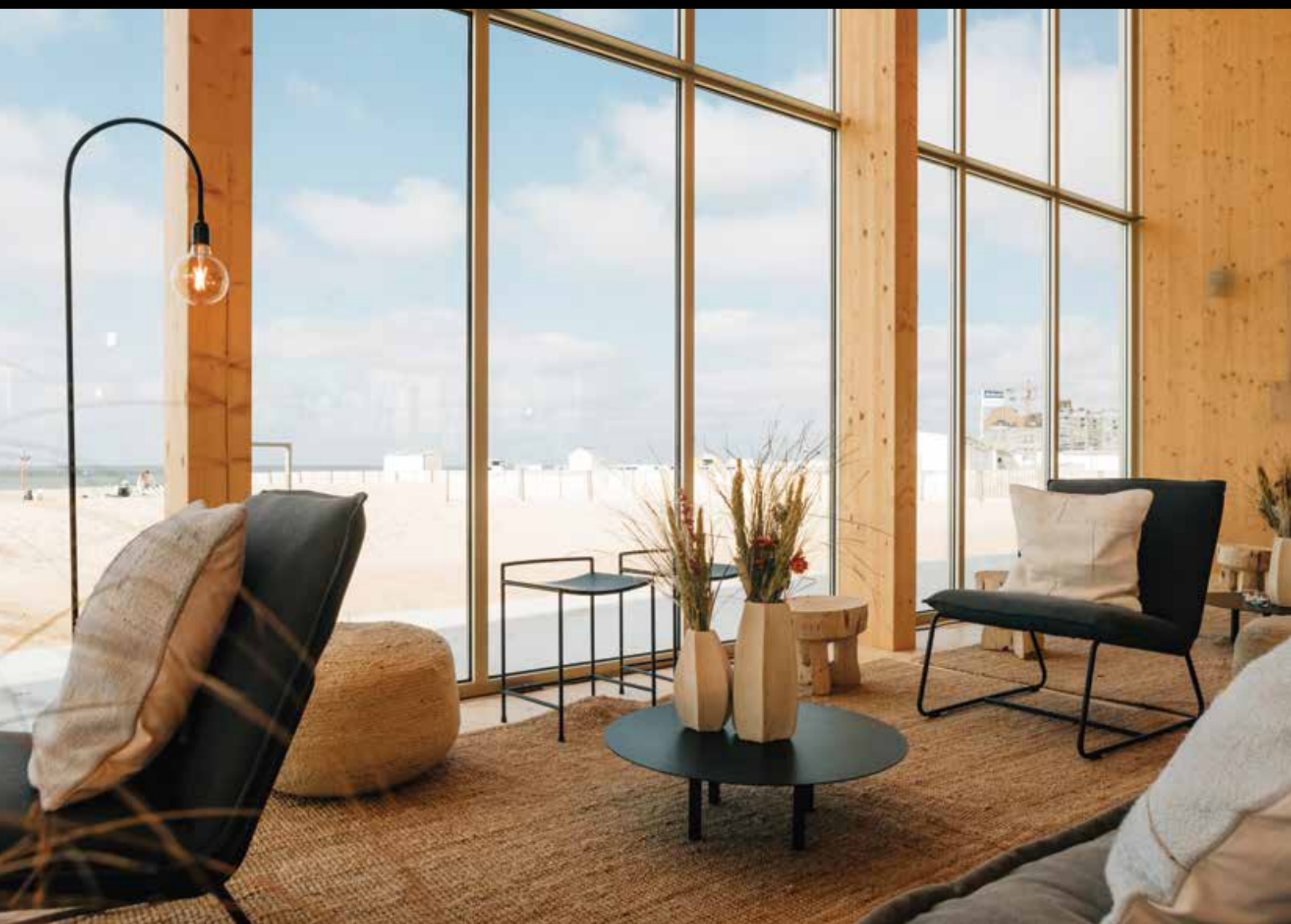
KLAR SLIMLINE 38

KLAR
STUDIO | WINDOWS + DOORS

SlimLine 38 is a highly insulated system allowing for inward and outward opening windows and doors, which combines elegance and comfort, with a unique design. This special slender steel look is the perfect solution for modern architecture and renovation of steel-framed windows, respecting the original design but offering a thermally improved solution.

The SL 38 system is available in 3 different minimalistic design variants, Classic, Ferro and Cubic, to perfectly match the architectural aspect of the building. The windows and doors can be provided with double and triple glazing without losing the ultra-slim look.

In combination with its superior insulation capabilities, the system provides the perfect harmony between durable material, clean design and demanding architectural challenges.



KLAR

STUDIO | WINDOWS + DOORS

CLASSIC



The classic design has a traditional steel look with slim visible lines and inclined surfaces. This pronounced design makes it ideal for the renovation or miming of steel framed windows while respecting the original design

FERRO

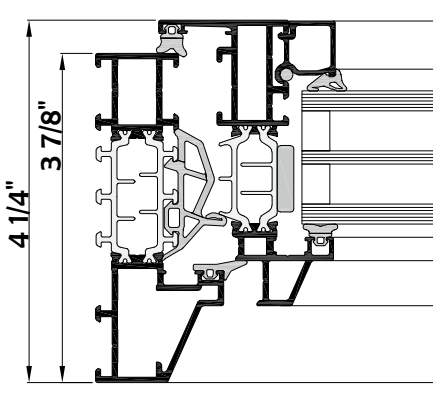


The slimline Ferro variant is characterized by very sharp lines, expressing a strong, yet elegant design. Its minimalistic appearance is ideal for contemporary architecture with character.

CUBIC



The typical straight side lines of the Cubic design strengthen the minimalistic look of your windows, answering to the design statement: less is more



COMFORT - SlimLine 38 assures maximal user comfort thanks to a highly insulated 3-chamber system with ultra-slim profiles for increased thermal characteristics. The solution is available in fixed, turn, and turn-tilt variations, and is suitable for both double and triple glazing without losing the minimalistic look.



FEATURES

- ENERGY - This product line spans a large range of insulation values. High Insulation variant improves already sufficient standard variant values.
- CONCEALED HINGES - The details are in the design. Concealed hinges are the finishing touch
- CONCEALED DRAINAGE - No more plastic cover caps, enjoy those clean lines
- GLASS CORNER - Glass to glass connection without profiles obstructing the view
- BURGLARPROOF - The system comes in a burglarproof variant for additional peace of mind.
- MAX HEIGHT - 110"



AVAILABLE WINDOW HANDLES

CONTOUR



TOUCH

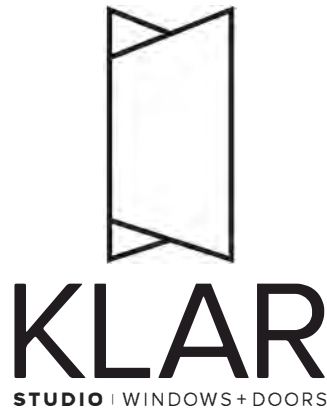


HORIZON



OLIMPO





KLAR Studio was established with the sole mission to provide fully customizable, and energy efficient windows. We are a dedicated team of professionals located on the Gold Coast of Connecticut. Visit us and explore KLAR's unique combination of European innovation, efficiency, engineering and cutting-edge design. All of our windows, doors and accessory products are built with uncompromising precision and are fully guaranteed to last. Employing state-of-the-art production techniques and materials, including aluminum, steel, and wood, we offer an infinite amount of options, sizes, and glazing that are suitable for both modern and traditional applications.

Our customers range from homeowners, architects, designers, construction firms, developers and private institutions. We work with our clients individually to ensure the ultimate in quality, customer satisfaction and proper installation for all projects.

We invite you to discover KLAR Studio|windows+doors and how we can add value and transform your project.



NORWALK CT info@klarstudio.com | 203 908 5833 | 258 Main Ave. Norwalk, CT 06851

SOUTHAMPTON NY info@klarstudio.com | 631-496-1173 | 53 Hill St, Suite 198 Southampton, NY 19968

NEW YORK NY info@klarstudio.com | 917-920-9821 | 125 Park Ave, 25th Floor, New York NY 10017