

# KLAR STEEL LINE

## Janisol Arte 66

**KLAR**  
STUDIO | WINDOWS+DOORS

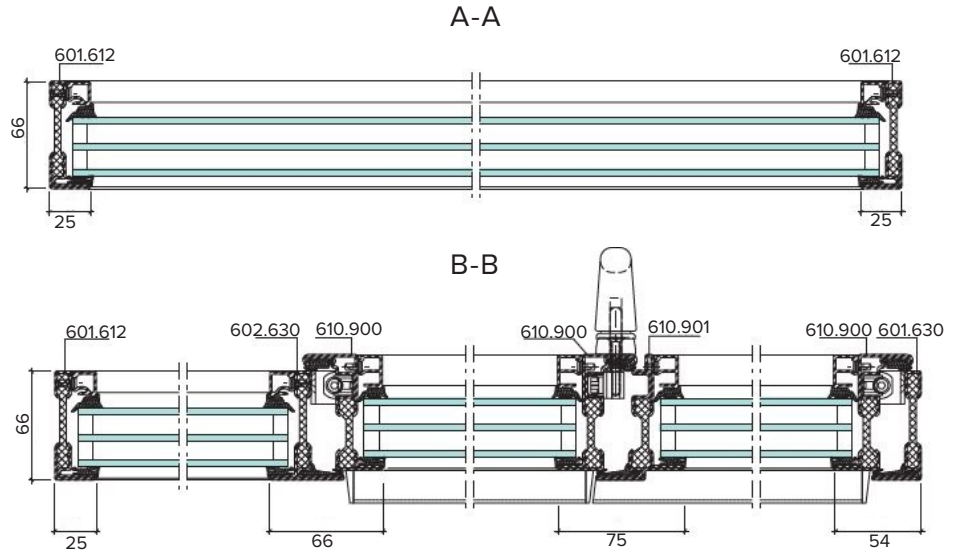
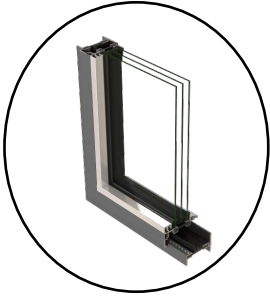


Slim tilt & turn windows are now available in KLAR Steel Line of products. Frame depth of 66 mm allows the use of stronger glass with a maximum sash height of 7-1/2'. The concealed fitting meet the architects and builders requirements for uniform design and clear lines without visual interruptions. This product is compatible with Janisol Arte 2.0 doors and windows.

# KLAR

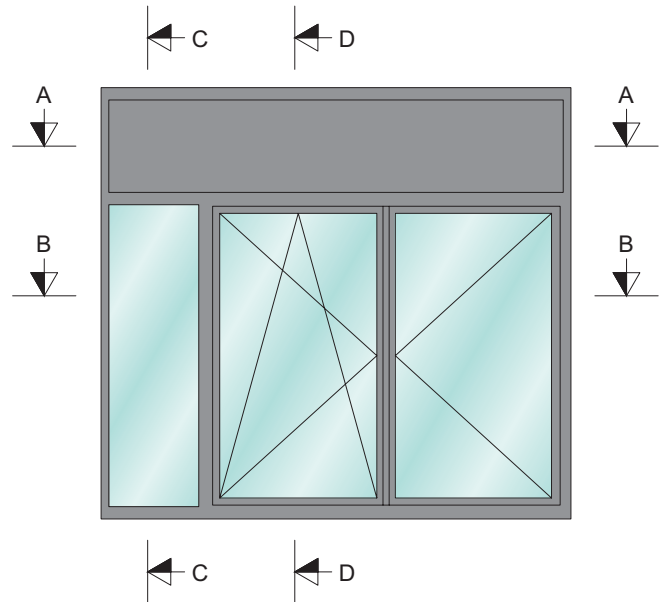
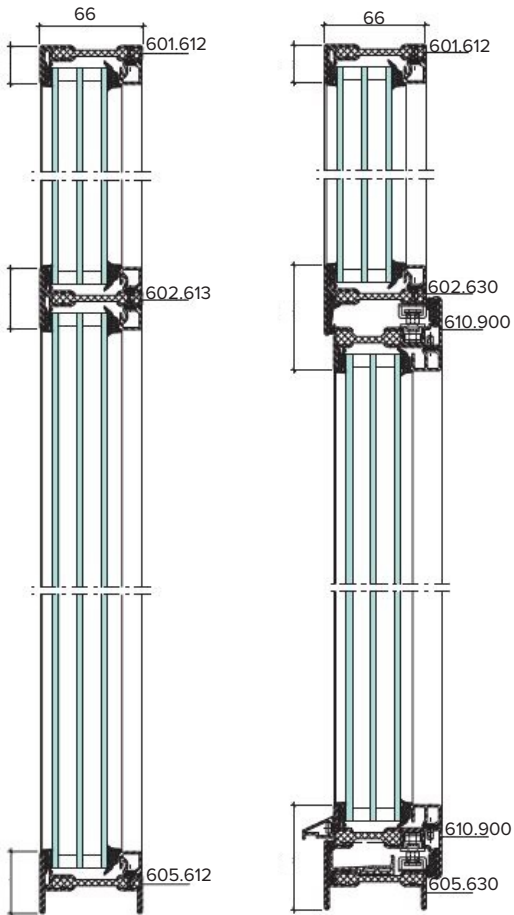
STUDIO | WINDOWS + DOORS

## AVAILABLE OPERATIONS



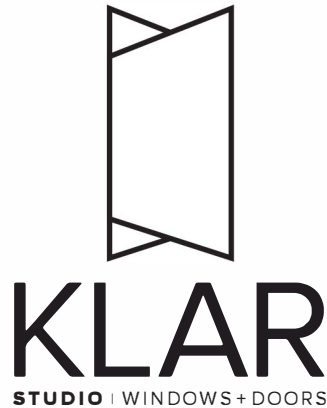
C-C

D-D



To learn more about ARTE 66 product click here to visit the [Jansen website](#)





KLAR Studio was established with the sole mission to provide fully customizable, and energy efficient windows. We are a dedicated team of professionals located on the Gold Coast of Connecticut. Visit us and explore KLAR's unique combination of European innovation, efficiency, engineering and cutting-edge design. All of our windows, doors and accessory products are built with uncompromising precision and are fully guaranteed to last. Employing state-of-the-art production techniques and materials, including aluminum, steel, and wood, we offer an infinite amount of options, sizes, and glazing that are suitable for both modern and traditional applications.

Our customers range from homeowners, architects, designers, construction firms, developers and private institutions. We work with our clients individually to ensure the ultimate in quality, customer satisfaction and proper installation for all projects.

We invite you to discover KLAR Studio|windows+doors and how we can add value and transform your project.

