

KLAR-SR50N KLAR-SR50N HI+

KLAR

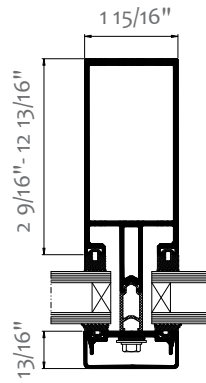
STUDIO | WINDOWS+DOORS



The **KLAR SR50N** mullion-transom system has been designed to fabricate lightweight curtain walling, roofs, skylights and other spatial structures. On current trends in architecture, it allows aligning of mullion and transom profiles on the inner side of the façade, so obtaining variants of different appearance. This system forms the basis of a variant with enhanced thermal insulation: **KLAR-SR50N HI+**, and other fire protection solutions, and is also linked to the structures of different types of windows such as tilt-and-pull windows, roof windows and façade-integrated windows. When it comes to glass and aluminium structures, with this rich variety of solutions based on the **KLAR -SR50N** façade, architects and designers can now make their most audacious visions come true.



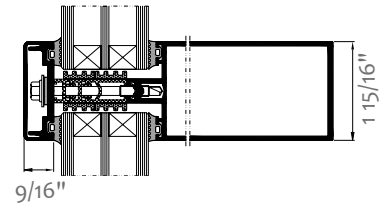
KLAR-SR50N / KLAR-SR50N HI



Mullion – cross-section
KLAR SR50N

KLAR

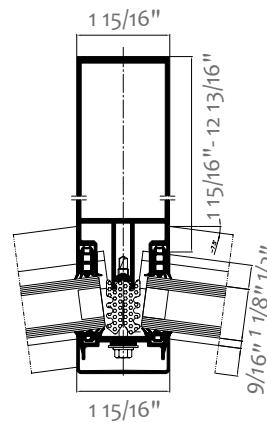
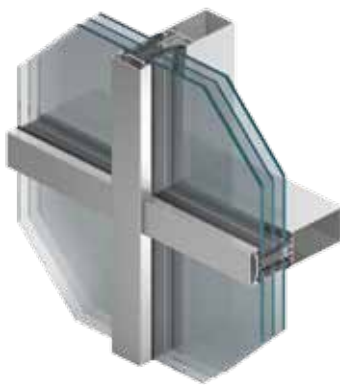
STUDIO | WINDOWS + DOORS



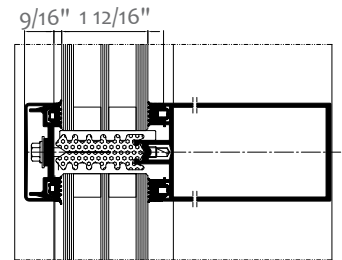
Transom – cross-section
SR50N HI

The basic system version and its variant with enhanced insulating power allow constructing façades with visible narrow parting lines while ensuring durability and strength of the structure. The wide offer of profiles enables the architects and designers to realise even the most enterprising ideas for aluminium and glass structures.

KLAR -SR50N HI+



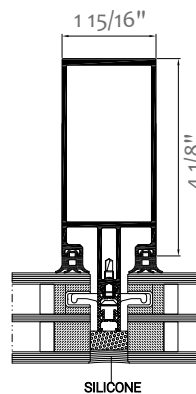
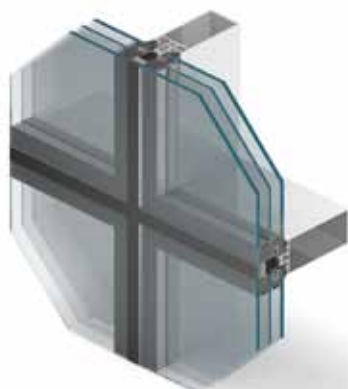
Mullion – cross-section – 7,5 %



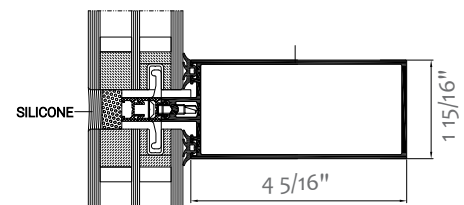
Transom – cross-section

This version, with the best thermal and acoustic insulation performance, uses a modified insulator made of PE material. The adequate shape of the insulator, in addition to high protection against heat transfer, ensures the proper conduct of screws that fix the clamping strips. This is important during the installation of the façade. For their part, new accessories give more freedom in selection of glazing.

KLAR -SR50N EFEKT



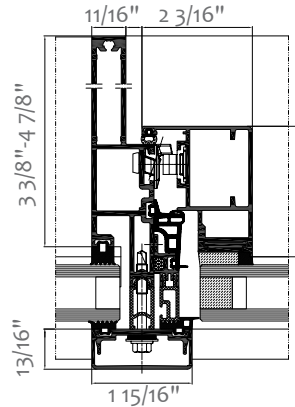
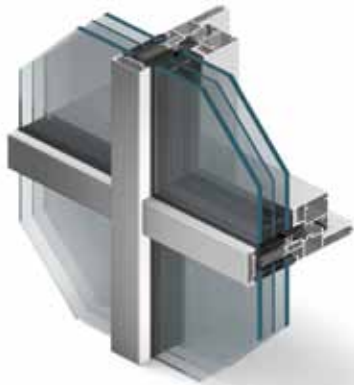
Mullion – cross-section



Transom – cross-section

A curtain wall which uses toggles and channels to fix the glazing to provide a uniform appearance of a smooth glass wall divided by a structure of vertical and horizontal lines of a width of 2 cm. It is possible to use within it large and heavy one- or two-chamber glass in-fills, including laminated pane sets and non-transparent panels based on insulated glass.

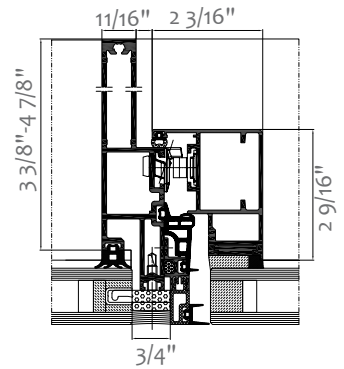
KLAR-SR50N IW



mullion with window, section view
KLAR SR50N IW – standard variant

KLAR

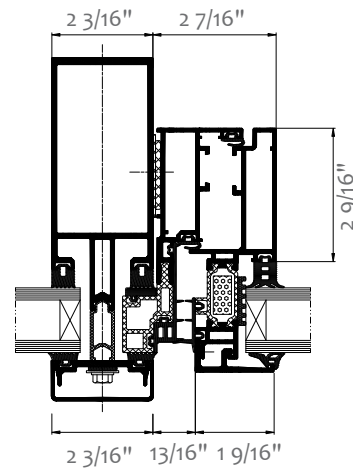
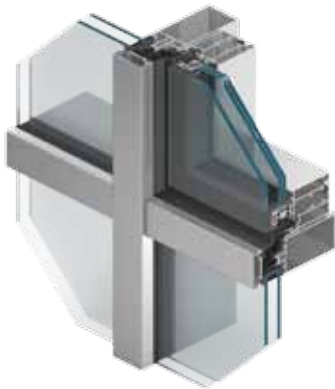
STUDIO | WINDOWS + DOORS



mullion with window, section view
KLAR SR50N IW – EFEKT variant

The Concealed Vent top hung open in gives the seamless appearance to the curtain wall. There are three varieties available using standard slats and flat slats and EFEKT like construction.

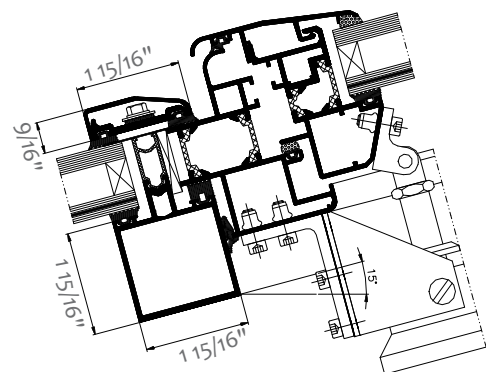
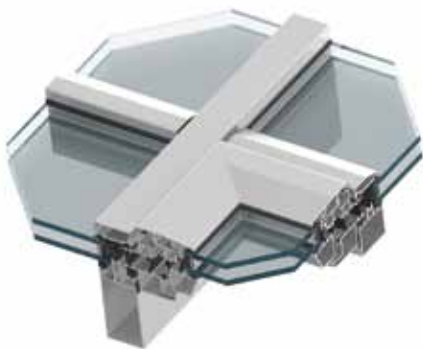
KLAR-SR50N OW



façade with window KLAR SR50N OW – variant with strips

One of the most important advantages of this solution are the unusually economical shapes, which add lightness to the entire structure. Thanks to application of the most modern technology of structural gluing, based on gluing the outer glass panel to the aluminium frame with structural silicon, we have avoided the necessity to use any aluminium elements from the outside or any mechanical joints for fitting the glass panel.

KLAR-SR50N RW



KLAR SR50N RW roof slope window, view

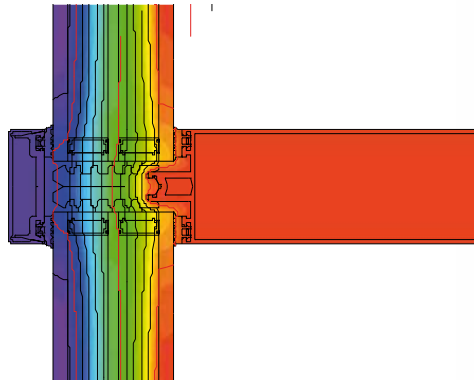
A skylight window is a part of the KLAR-SR50N system, and is intended for roof mounting at the inclination angle from 5° to 75° in relation to the horizon, and may be used for making the ventilation hatches.

FEATURES

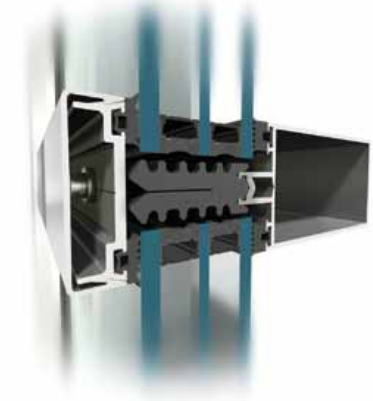
KLAR

STUDIO | WINDOWS + DOORS

- angle joints enabling the free shaping of aluminium structures
- posts and beams with 'sharp' edges allowing construction of curtain wall supporting structures with the appearance of a uniform truss
- aesthetic curtain wall varieties and a number of lining profiles of various shapes providing multiple curtain wall appearances
- a large choice of curtain wall opening elements: windows and doors of various types, including skylight windows and windows integrated with the curtain wall, as well as tilt and parallel opening KLAR SR50N OW windows
- a wide glazing range along with the availability of insulators and accessories allowing a high level of curtain wall thermal insulation
- the possibility of bending profiles and creating use curved structures
- Proper water drainage and facade ventilation is obtained thanks to the application of overlapping mulliontransom connection enabling cascade-type of drainage and ventilation of glazing moulds and execution of ventilation and drainage holes in clamping and masking strips



Distribution of isotherms in KLAR SR50N HI+ – façade



Sound-proofing (Rw)



Guarantee



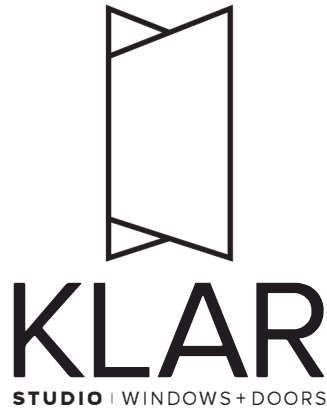
Thickness



Energy efficiency (Uw)

- mullion: 65-325 mm
- transom: 5-189.5mm

- from 0.12



KLAR Studio was established with the sole mission to provide fully customizable, and energy efficient windows. We are a dedicated team of professionals located on the Gold Coast of Connecticut. Visit us and explore KLAR's unique combination of European innovation, efficiency, engineering and cutting-edge design. All of our windows, doors and accessory products are built with uncompromising precision and are fully guaranteed to last. Employing state-of-the-art production techniques and materials, including aluminum, steel, and wood, we offer an infinite amount of options, sizes, and glazing that are suitable for both modern and traditional applications.

Our customers range from homeowners, architects, designers, construction firms, developers and private institutions. We work with our clients individually to ensure the ultimate in quality, customer satisfaction and proper installation for all projects.

We invite you to discover KLAR Studio|windows+doors and how we can add value and transform your project.



NORWALK CT info@klarstudio.com | 203 908 5833 | 258 Main Ave. Norwalk, CT 06851

FOREST HILLS NY info@klarstudio.com | 646 640 6792 | 104-08 Metropolitan Ave. Forest Hills, NY 11375

SOUTHAMPTON NY info@klarstudio.com | 631 496 1173 | 53 Hill St, Suite 198 Southampton, NY 19968