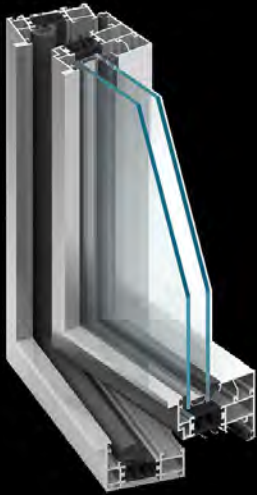


# KLAR 70 Industrial

# KLAR

STUDIO | WINDOWS+DOORS

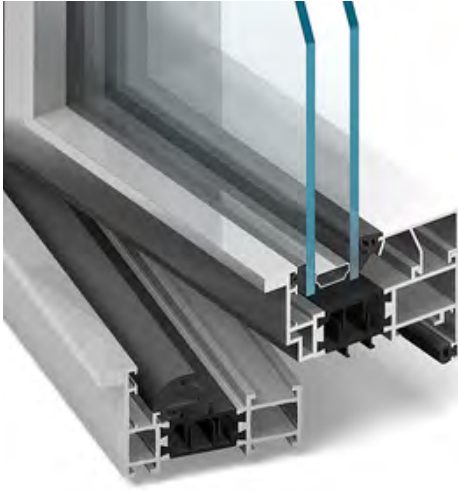


Whether for renovating old steel windows or giving a stylish steel look to new building, the KLAR-70 Industrial enables to keep with the original style, providing all the benefits of modern aluminum technology. Combining attractive design options with long term reliability, the system also features enhanced thermal insulation properties to ensure energy conservation.

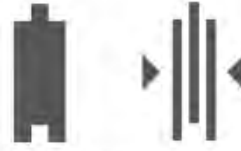


# KLAR

STUDIO | WINDOWS + DOORS



## *Steel Style in aluminum profiles*



Thickness

- frame: 70 mm
- leaf: 79mm



Energy efficiency (Uw)

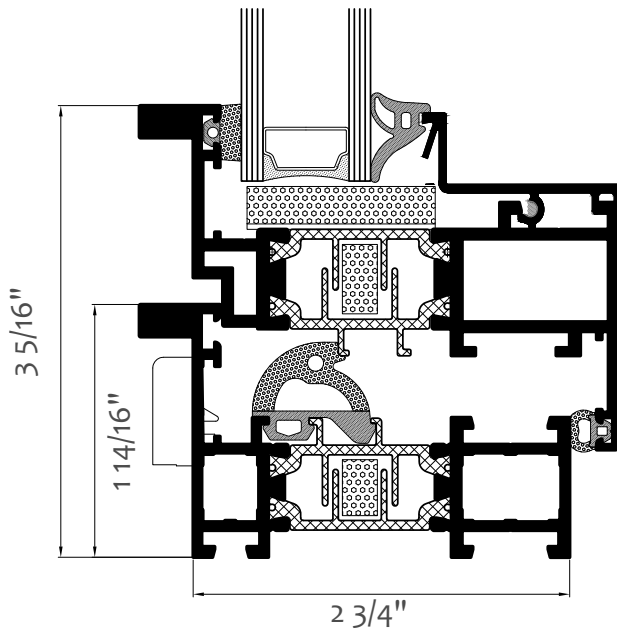
- from 0.23



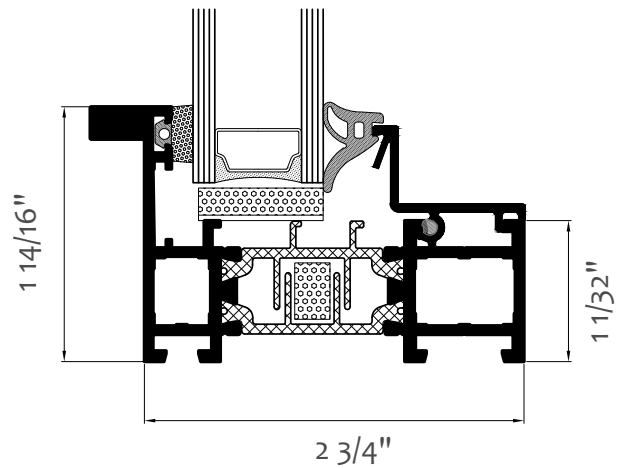
Sound-proofing (Rw)



Guarantee



Opening Window – cross-section KLAR-70Industrial



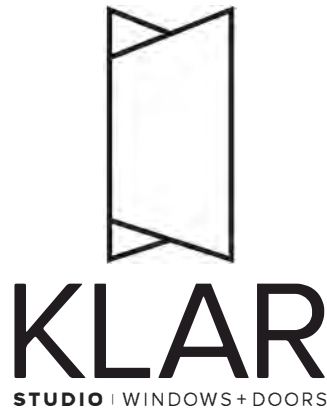
Fixed Window – cross-section KLAR-70Industrial

# FEATURES

- windows available as fixed or open in, tilt and turn.
- 1 or 2 leaf doors open in or open out
- safety locking
- steel look like industrial.
- large size door constructions available
- secure windows and door options, providing burglar resistance
- glazing up to 60 mm
- multi-point locking
- Eurogroove that broadens the choice of hardware available
- compliance with CE marking requirements
- multitude of finish options
- dual color options







KLAR Studio was established with the sole mission to provide fully customizable, and energy efficient windows. We are a dedicated team of professionals located on the Gold Coast of Connecticut. Visit us and explore KLAR's unique combination of European innovation, efficiency, engineering and cutting-edge design. All of our windows, doors and accessory products are built with uncompromising precision and are fully guaranteed to last. Employing state-of-the-art production techniques and materials, including aluminum, steel, and wood, we offer an infinite amount of options, sizes, and glazing that are suitable for both modern and traditional applications.

Our customers range from homeowners, architects, designers, construction firms, developers and private institutions. We work with our clients individually to ensure the ultimate in quality, customer satisfaction and proper installation for all projects.

We invite you to discover KLAR Studio|windows+doors and how we can add value and transform your project.



---

**NORWALK CT** [info@klarstudio.com](mailto:info@klarstudio.com) | 203 908 5833 | 258 Main Ave. Norwalk, CT 06851

**FOREST HILLS NY** [info@klarstudio.com](mailto:info@klarstudio.com) | 646 640 6792 | 104-08 Metropolitan Ave. Forest Hills, NY 11375

**SOUTHAMPTON NY** [info@klarstudio.com](mailto:info@klarstudio.com) | 631 496 1173 | 53 Hill St, Suite 198 Southampton, NY 19968