

KLAR - SLIMLINE

KLAR

STUDIO | WINDOWS+DOORS



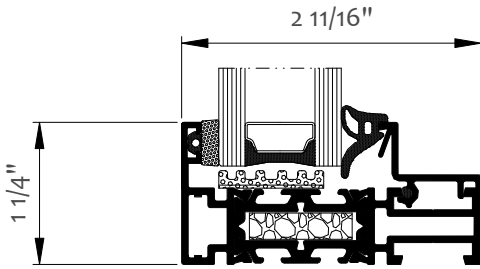
Highly insulated, KLAR SLIMLINE window system with thermal break is intended for fabrication of external structure elements such as various types of highly resistant, inward-openable windows (side-hung, hopper, tilt-and-turn windows) and fixed windows of an excellent water resistance, air tightness, and sound insulation performance.

With its very small-width aluminum profiles, visible from the external side of the construction, KLAR SLIMLINE enables to fabricate casements in two variants – with visible or invisible profiles (SG) from the external side of the structure. When invisible casements are used, the appearance of openable and fixed units is almost identical.

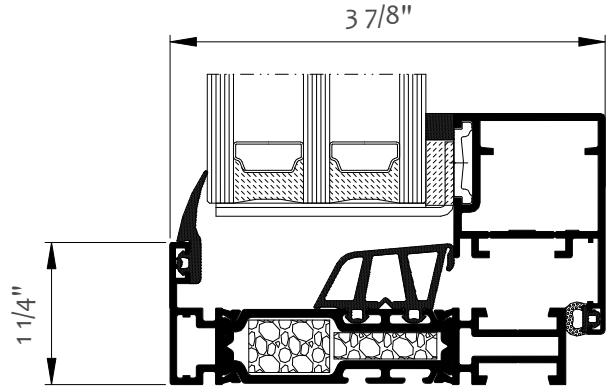


KLAR

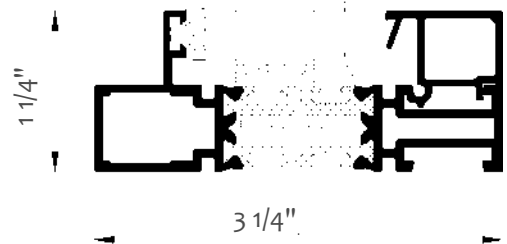
STUDIO | WINDOWS + DOORS



Fixed Window – cross-section KLAR-Slimline

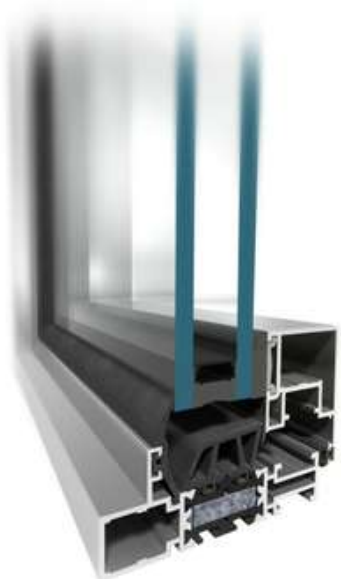


Opening Window – cross-section KLAR-Slimline



*Offering high-quality design,
KLAR Slimline windows are
custom-made with a sleek profile.*

Traditional appearance.
Reinvented



FEATURES

- high resistance to water & air infiltration plus an excellent thermal insulation can be obtained thanks to the special shape of the central gasket

- good thermal insulation U value from 0.14.

- important glazing range, up to 81 mm

- the use of typical "Euro" grooves enables installation of most of the available fittings

- the construction method is maximally simplified. Profile connections (corner & T-connections) are performed by bolting or studding

- This system can also greatly replace the old-style windows, made of steel profiles and maintain a similar appearance from the outside of the construction, while significantly increasing the thermal insulation of the partition.

- multitude of finish options



Thickness

- frame: 68.5mm-123.5mm
90.5mm-145.5mm
- leaf: 77.5mm-99.5mm



Energy efficiency (Uw)

- from 0.14



Sound-proofing (Rw)



Guarantee



KLAR Studio was established with the sole mission to provide fully customizable, and energy efficient windows. We are a dedicated team of professionals located on the Gold Coast of Connecticut. Visit us and explore KLAR's unique combination of European innovation, efficiency, engineering and cutting-edge design. All of our windows, doors and accessory products are built with uncompromising precision and are fully guaranteed to last. Employing state-of-the-art production techniques and materials, including aluminum, steel, and wood, we offer an infinite amount of options, sizes, and glazing that are suitable for both modern and traditional applications.

Our customers range from homeowners, architects, designers, construction firms, developers and private institutions. We work with our clients individually to ensure the ultimate in quality, customer satisfaction and proper installation for all projects.

We invite you to discover KLAR Studio|windows+doors and how we can add value and transform your project.

