

KLAR 77 HS

LIFT & SLIDE

KLAR

STUDIO | WINDOWS+DOORS

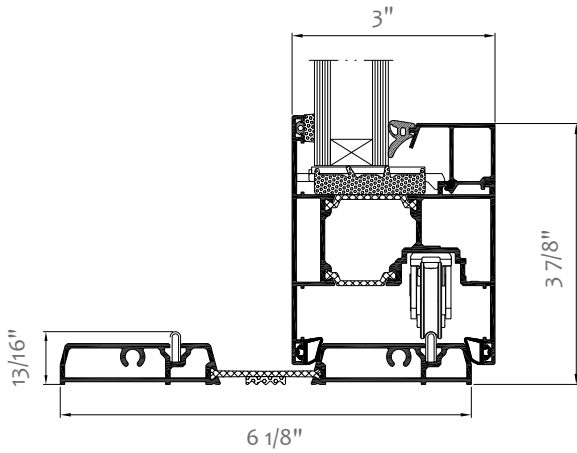


The KLAR 77HS "Lift & Slide" door product is an ideal solution for connecting interior space rooms with the outside balcony, terrace or garden area. Providing both a smooth & silent slide action operation, it can bring the benefits of a beautiful day outside, into the living space. In addition, & by way of its design & operation, the KLAR 77HS is a great space saving opening & does not encroach the free space beyond the internal or external confines of the frame, without any compromise. Providing excellent weather tightness together with enhanced thermal performance, the KLAR 77HS complies with all of the requirements associated with this product type.

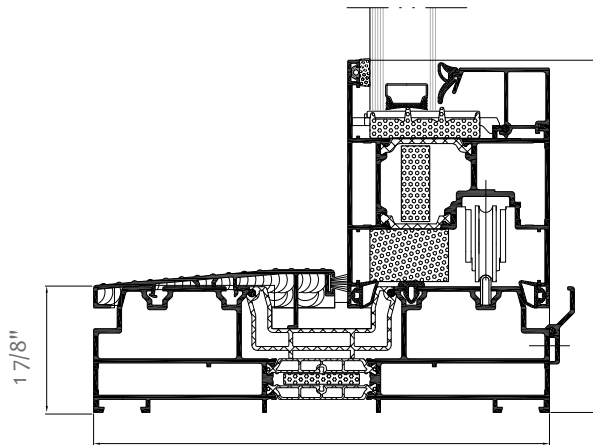


KLAR

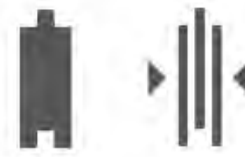
STUDIO | WINDOWS + DOORS



Door- cross-section KLAR-77 HS ST



Door- cross-section KLAR-77 HS HI



Thickness

- frame: 174 mm
- leaf: 77mm



Energy efficiency (Uw)

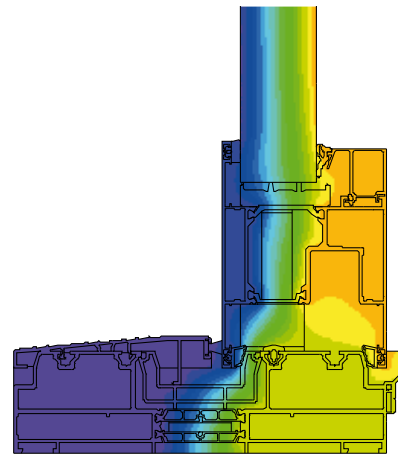
- from 0.16



Sound-proofing (Rw)



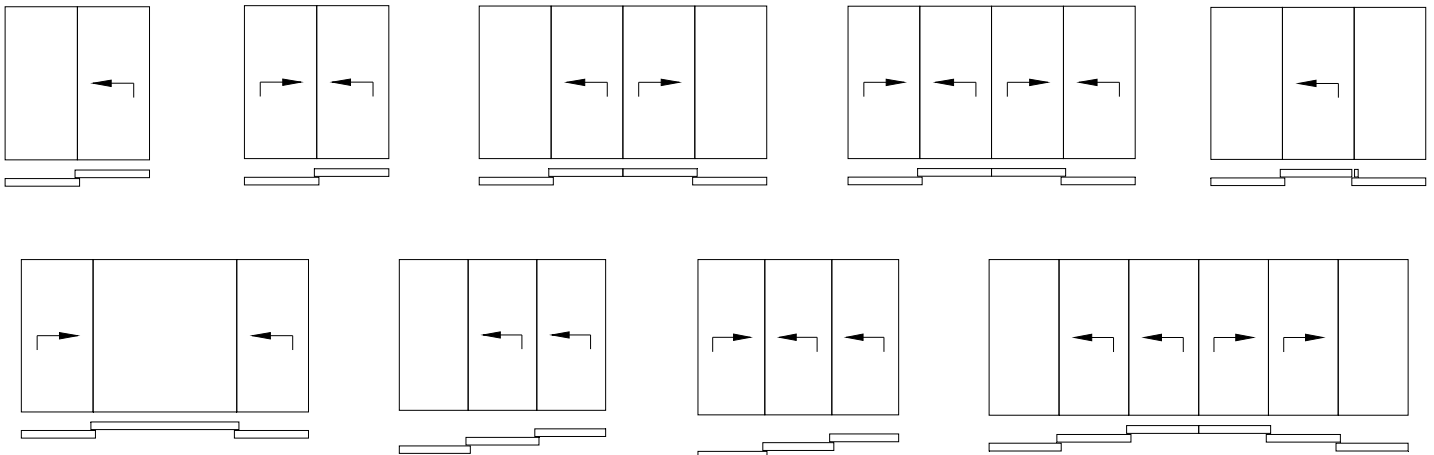
Guarantee



Distribution of isotherms in KLAR 77 HS



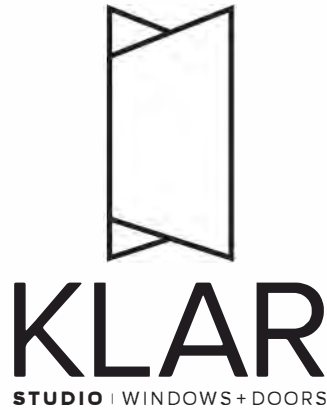
AVAILABLE DOOR CONSTRUCTION



FEATURES

- durable and slender profiles enable screens of a low-threshold door of the weight of the leaf of up to 400 kg, height – up to 3.2 m and width - up to 3.3 m.
- a wide range of glazing options, allowing application of double or triple glazed units combined with thermal breaks as well as additional inserts, enable achieving high thermal and acoustic insulation of the door.
- for aesthetic values glazing beads come in three options: rectangular, rounded and Style shaped.
- closed shape of glazing beads and anti-jemmy details provide enhanced security properties without altering any essential constructional elements of the door.
- unique gasket designs, together with quality hardware, ensure top end weather and air tightness performance
- profiles adapted to accommodate a number of manually or automatically operated hardware available on the market.
- possibility to drive the doors with automatic "HS-Master" mechanism controlled with a push-button or remote control.
- a wide range of colour schemes allows for arrangement of doors to meet any individual requirements





KLAR Studio was established with the sole mission to provide fully customizable, and energy efficient windows. We are a dedicated team of professionals located on the Gold Coast of Connecticut. Visit us and explore KLAR's unique combination of European innovation, efficiency, engineering and cutting-edge design. All of our windows, doors and accessory products are built with uncompromising precision and are fully guaranteed to last. Employing state-of-the-art production techniques and materials, including aluminum, steel, and wood, we offer an infinite amount of options, sizes, and glazing that are suitable for both modern and traditional applications.

Our customers range from homeowners, architects, designers, construction firms, developers and private institutions. We work with our clients individually to ensure the ultimate in quality, customer satisfaction and proper installation for all projects.

We invite you to discover KLAR Studio|windows+doors and how we can add value and transform your project.

