

KLAR 60/ 60 HI

KLAR

STUDIO | WINDOWS+DOORS

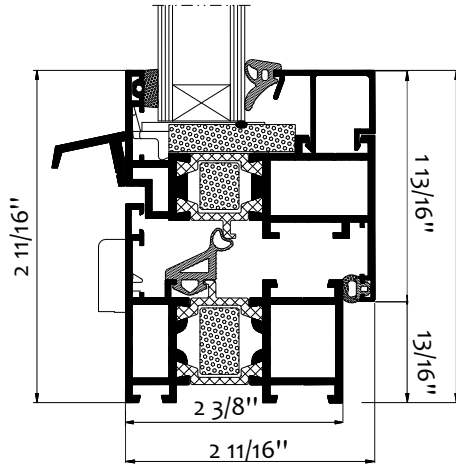


The KLAR 60 is a modern aluminum system intended for realizations of exterior architectural building elements requiring thermal and acoustic insulation, such as: various types of windows, doors, vestibules, display windows or spatial structure. The system profiles have a three-chamber structure. The structural depth of the window sections is equal to 2 3/8" (frames) and 2 11/16" (casements), and for doors 2 3/8" and 2 3/8" mm, respectively.

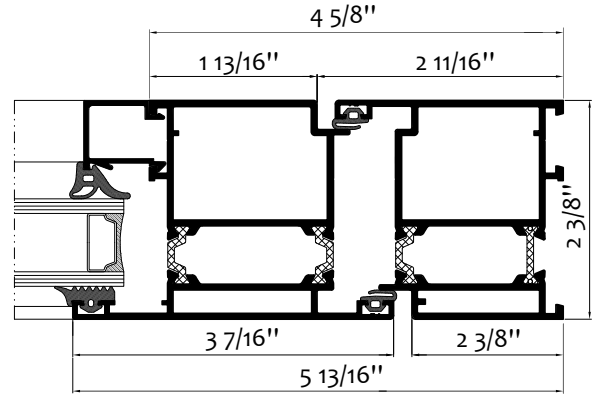


KLAR

STUDIO | WINDOWS + DOORS



Window – cross-section KLAR-60 HI



Door – cross-section KLAR-60

AVAILABLE IN..



Window –KLAR 60/60HI
U VALUE=0.247



Window – KLAR 60 US/60US HI
U VALUE=0.299



Thickness



Energy efficiency (Uw)

- frame: 60 mm (2 3/8")
- leaf: 60mm - 69mm (2 3/8" - 2 11/16")

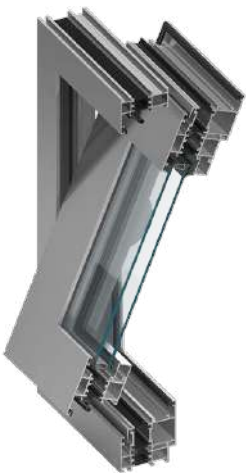
- from 0.247



Sound-proofing (Rw)



Guarantee



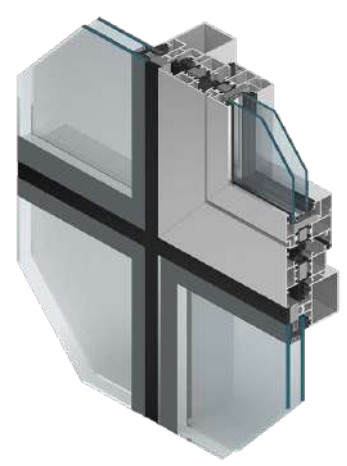
Window –KLAR 60 Pivot
U VALUE=0.299



Window –KLAR 60 Industrial/HI
U VALUE=0.493



Window –KLAR 60 E/60E HI
U VALUE=0.493



Window –KLAR 60EF/60EF HI

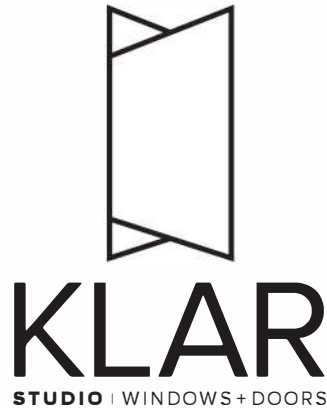
FEATURES

KLAR

STUDIO | WINDOWS + DOORS

- windows available as fixed or open in, tilt and turn, tilt and slide
- 1 or 2 leaf doors open in or open out
- safety locking
- steel look like industrial options
- large size door constructions available
- hidden sash option
- secure windows and door options, providing burglar resistance
- glazing up to 50 mm (1 31/32")
- multi-point locking
- Eurogroove that broadens the choice of hardware available
- compliance with CE marking requirements
- multitude of finish options
- dual color options





KLAR Studio was established with the sole mission to provide fully customizable, and energy efficient windows. We are a dedicated team of professionals located on the Gold Coast of Connecticut. Visit us and explore KLAR's unique combination of European innovation, efficiency, engineering and cutting-edge design. All of our windows, doors and accessory products are built with uncompromising precision and are fully guaranteed to last. Employing state-of-the-art production techniques and materials, including aluminum, steel, and wood, we offer an infinite amount of options, sizes, and glazing that are suitable for both modern and traditional applications.

Our customers range from homeowners, architects, designers, construction firms, developers and private institutions. We work with our clients individually to ensure the ultimate in quality, customer satisfaction and proper installation for all projects.

We invite you to discover KLAR Studio|windows+doors and how we can add value and transform your project.

