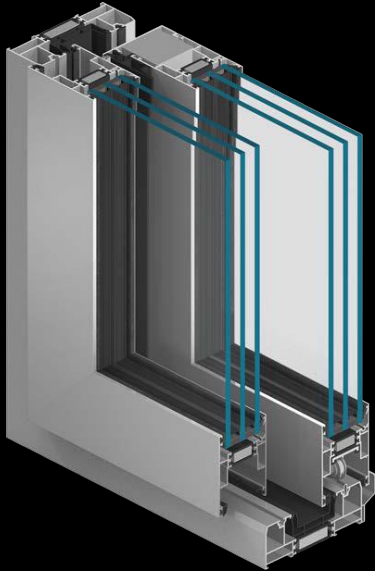


KLAR 59HS

LIFT & SLIDE

KLAR

STUDIO | WINDOWS+DOORS

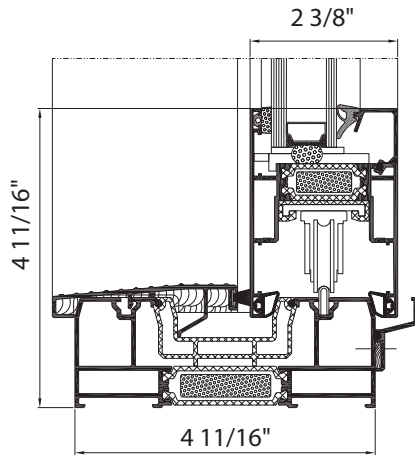


Lift & Slide door is the perfect integrating element that connects rooms or winter gardens with external spaces. It provides a convenient exit to the balcony, terrace or garden. When in the open position, the door does not take up space inside the room, while enabling a very good contact with the environment which further increases the comfort of use. KLAR 59HS gives you great possibilities in applications of lift & slide doors, and is the optimized solutions in terms of construction and dimensions of its profiles and frames.

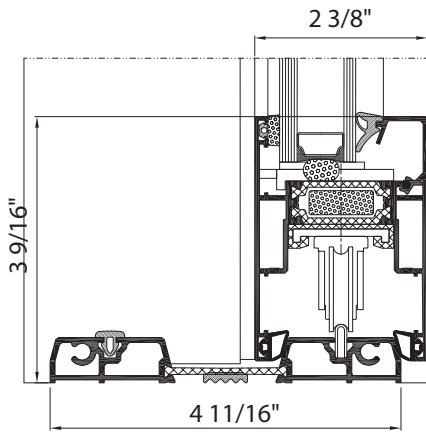


KLAR

STUDIO | WINDOWS + DOORS



Door- cross-section KLAR-59 HST



Door low threshold- cross-section KLAR-59HS



Thickness

- frame:
 - 2 rail 120 mm (4 11/16")
 - 3 rail 199 mm (7 13/16")
- leaf: 59 mm (2 5/16")



Energy efficiency (Uw)

- from 0.30



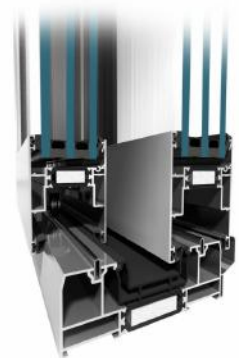
Sound-proofing (Rw)



Guarantee

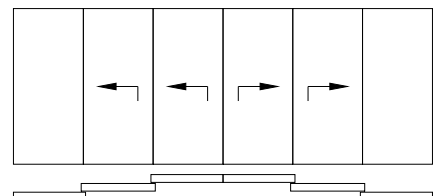
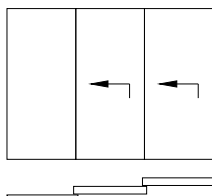
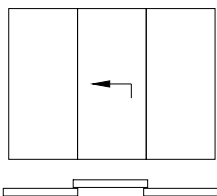
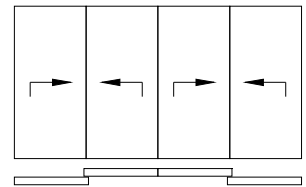
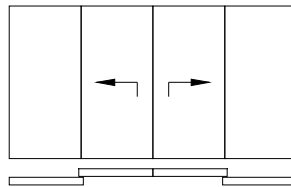
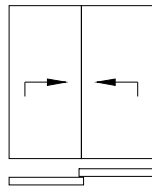
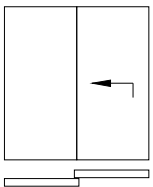


Corner Profile



Section View

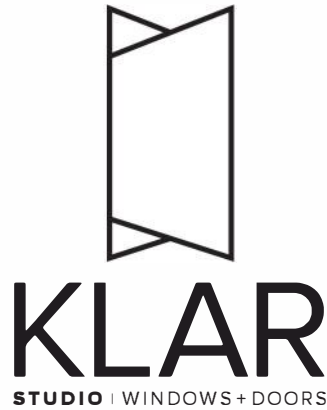
AVAILABLE DOOR CONSTRUCTION



FEATURES

- Important dimensions of the door leaves that exceed by far any standard values: height up to 9'-6" , width up to 11 ft; and max. leaf weight up to 600 lb.
- Slender and robust, 3-chambered profiles, with insulating chamber equipped with wide thermal breaks in the central part.
- 2-or 3-rail frames that enable the fabrication of doors with wide clear passage size.
- Large glass thickness to be fitted in the door leaves (up to 1 1/2") to bring flexibility in choosing the appropriate glass.
- Relatively low heat transfer coefficient for frames (Uf) assured by wide thermal breaks, polyethylene inserts and chambered profiles mounted in thermal insulation strips.
- High water and air tightness assured by specially-shaped gaskets and hardware that allow the leaf to embed on the frame in the final stage of closing the leaf.
- Ability to mount most of the hardware for lift & slide doors available on the market.
- Door version with a low-level threshold, which makes it easier to use the door especially by the elderly or disabled.
- Doors can be mounted individually or as part of larger constructions: mullion and transom curtain walls or winter gardens.





KLAR Studio was established with the sole mission to provide fully customizable, and energy efficient windows. We are a dedicated team of professionals located on the Gold Coast of Connecticut. Visit us and explore KLAR's unique combination of European innovation, efficiency, engineering and cutting-edge design. All of our windows, doors and accessory products are built with uncompromising precision and are fully guaranteed to last. Employing state-of-the-art production techniques and materials, including aluminum, steel, and wood, we offer an infinite amount of options, sizes, and glazing that are suitable for both modern and traditional applications.

Our customers range from homeowners, architects, designers, construction firms, developers and private institutions. We work with our clients individually to ensure the ultimate in quality, customer satisfaction and proper installation for all projects.

We invite you to discover KLAR Studio|windows+doors and how we can add value and transform your project.

